

## SPECIFICATIONS:

**MODEL NUMBER:** 8020-833-238

**PUMP DESIGN:** Positive Displacement 3 Chamber Diaphragm Pump

**CHECK VALVE:** (2-Way Op.) Prevents Reverse Flow & 6Ft. Head Forward Flow

**CAM:** 3.0 Degree

**MOTOR:** Permanent Magnet, P/N 11-195-01, Thermally Protected

**VOLTAGE:** 115 VAC Nominal

**PRESSURE SWITCH:** Adjustable Shut-Off (Range 80-100 PSI)

Factory Set @ 95 PSI, Turn On 75 PSI  $\pm$  5 PSI

**LIQUID TEMPERATURE:** 180 Degrees Fahrenheit (82 Degrees Centigrade) Max.

**PRIME:** Self-Priming Up To 12 Ft. Vertical,  
 Max. Inlet Pressure 30 PSI (2.1 Bar)

**PORTS:** 3/8"-18 NPT Female

**MATERIAL OF CONSTRUCTION:**

**PLASTICS-** Nylon

**VALVES-** Viton

**DIAPHRAGM-** Santoprene

**FASTENERS-** Zinc Plated Steel

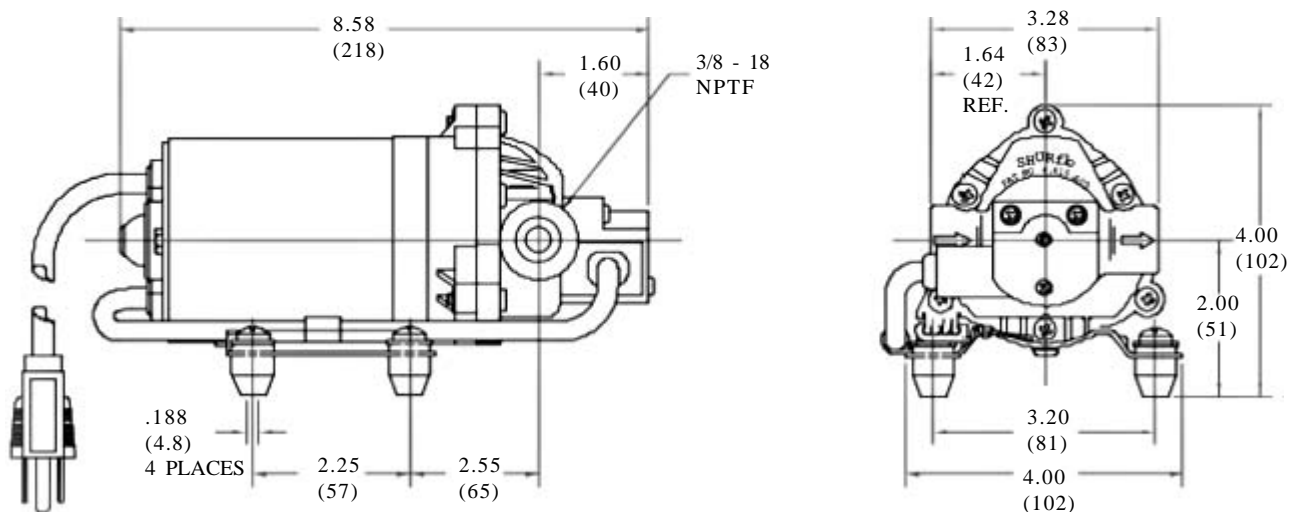
**NET WEIGHT:** 5.3 Lbs (2.4 Kg)

**DUTY CYCLE:** Intermittent (See Temperature Rise Chart)

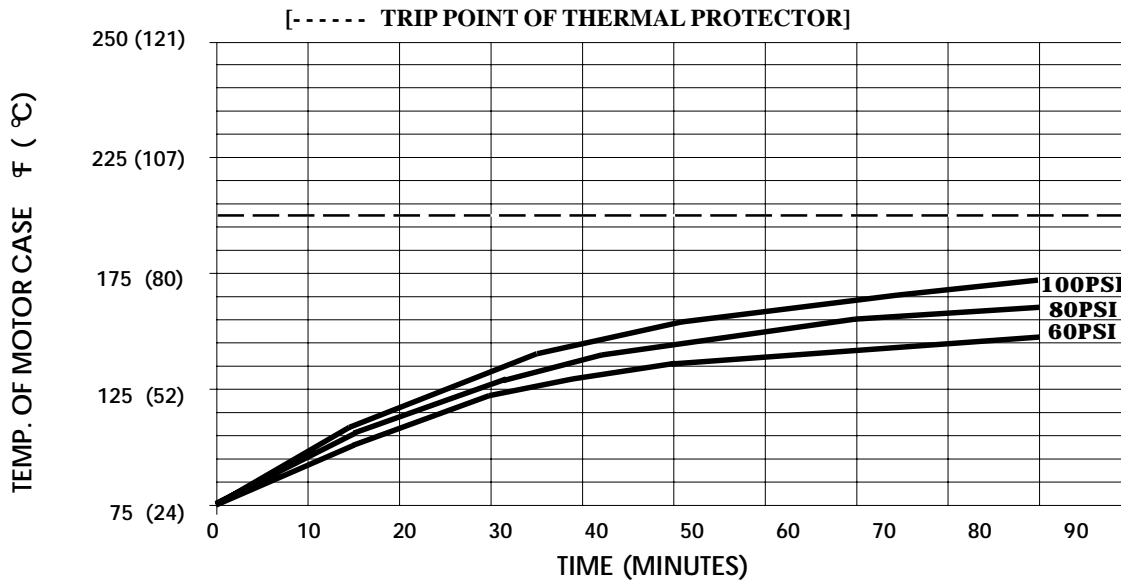
**APPROVALS:** UL/CSA Listed

**TYPICAL APPLICATIONS:** Soil Extraction, Water Delivery

## DIMENSIONS:



### TEMPERATURE RISE

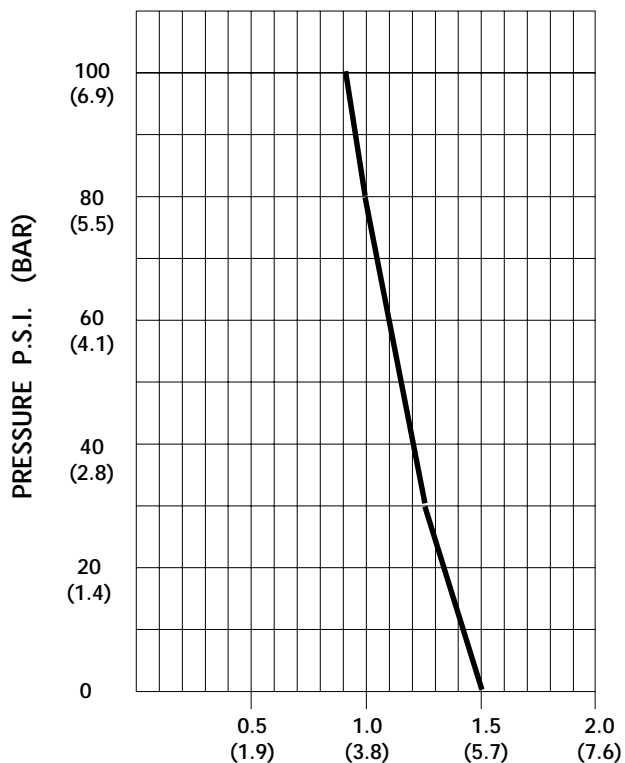


THIS GRAPH IS FOR USE AS A DESIGN GUIDE. IT IS BASED ON RUNNING CONTINUOUSLY WITH AN AMBIENT TEMPERATURE OF 75 ° F IN STILL AIR. THE THERMAL BREAKER WILL OPEN WHEN THE CASE TEMPERATURE REACHES 203 ° F.

*-SPECIFICATIONS SUBJECT TO CHANGE WITHOUT NOTICE.*

*-ALL DATA BASED ON TESTING WITH WATER AT AMBIENT TEMPERATURE.*

### TYPICAL PERFORMANCE



PRESSURE (PSI)	FLOW (GPM/LIT)	RPM MIN/MAX	CURRENT (AMPS)	VOLTAGE (VOLTS)
OPEN	1.50/5.7	2065/2190	0.33	115VAC
10	1.41/5.3	2010/2135	0.38	"
20	1.32/5.0	1930/2055	0.45	"
30	1.25/4.7	1865/1980	0.52	"
40	1.14/4.3	1800/1910	0.58	"
50	1.12/4.2	1750/1840	0.64	"
60	1.07/4.0	1700/1795	0.70	"
70	1.03/3.9	1635/1740	0.76	"
80	0.97/3.7	1590/1680	0.82	"
90	0.93/3.5	1540/1630	0.93	"
100	0.91/3.4	1500/1570	0.95	"

FLOW - GALLONS PER MINUTE (LITERS PER MINUTE)

For technical advice or service please take your pump into your local pump service center.

To order pump or parts or for pricing please go to the following links :

[Shurflo Pumps Home >>](#)

[Shurflo Pumps stock list >>](#)